

3" acrobat LED Downlight - Warm Dimming

Non-IC New Construction Housing

Round or Square / Trimmed or Trimless



Wattage	CCT	Delivered Lumens	Efficacy
10W	1850 - 3000K	680lm	68lpw
15W	1850 - 3000K	945lm	63lpw

Lumens will vary depending on CCT, optic & lens option

Description

- Acrobat downlight delivers over 900lm through a 3" aperture with four optical distributions. Delivered lumens are maintained in different ceiling thicknesses.
- Drivers are accessible from below the ceiling.

LED Light Engine

Warm dimming LED technology provides the natural sensation of circadian rhythm.

Field Replaceable Dimming Driver

- Power factor > 0.9, 50/60Hz
- Multiple dimming drivers available
- Complies with IEEE62.41 surge protection

Housing

Non-IC rated housing must be kept a minimum of 3" from insulation. 18 gauge galvanized steel housing and junction box with 1/2" trade size knockouts. Includes universal butterfly brackets to accommodate C-Channel, adjustable bar hangers, and EMT. C-Channel is recommended for T-bar ceilings and must be ordered separately. Adjustable wood joist bar hangers are included. Max. ambient temperature: 104°F (40°C)

Ceiling Thickness

- Accommodates ceiling thickness from 1/2" to 1-1/2" (Extended 2" collar available, must specify)
- Delivered lumens are maintained through entire range

Trim Style

- Round spun aluminum trim with anodized finishes, consult factory for custom finishes
- Square die-cast aluminum trim with powder coat finishes, consult factory for custom finishes
- Trimless mud plate and wood ceiling option available

Accessories

Accommodates (2) accessories, a media holder is required. Accessories are not compatible when used with lensed trim.

Emergency

Remote inverter operates for 90 minutes with remote test switch available, requires above ceiling access.

Listing/Warranty

- Patent pending
- Five (5) year limited warranty
- UL listed to US and Canadian standards for damp locations
- UL listed to US and Canadian standards for wet locations when used with lens



Housing Order Matrix (Example: A3-NC15S-R00-LCB-24)

Type	Wattage	Driver	Aperture	Trim Style	Rev	Extended Collar	Hanger Bar
A3-NC (Non-IC)	10 (10W) 15 (15W)	S' (ERP, Universal Dim, Triac/ELV/0-10V 10% 120-277V) L1 (Lutron Hi-lume® 2-Wire 1% 120V) L2 (Lutron EcoSystem® 5% 120-277V) L3 (Lutron Hi-lume® Fade-to-Black 1% 120-277V) EL1 (eidoLED DALI 1% 120-277V) EL2 (eidoLED 0-10V 1% 120-277V) DMX (DMX 1% 120-277V) LR1 (Remote Lutron Hi-lume® 2-Wire 1% 120V) SR1' (Remote ERP, Universal Dim, Triac/ELV/0-10V 10% 120-277V)	-R (Round) -S (Square)	(blank) (Flanged) TL (Trimless) WC (Wood Ceiling)	00	(blank) (Standard 1-1/2") -2 (Up to 2")	(blank) (Standard) -LCB-24 (24" C-Channel) -LCB-48 (48" C-Channel)

1. Forward and reverse phase dimming at 120V only
All drivers are accessible from below the ceiling.

Trim Order Matrix (Example: A3-1RWH-WHWD30-NL-00)

Trim	Aperture	Reflector Finish	Flange Finish	LED Light Engine	Optic	Lens Type	Rev
A3-1	R (Round) S (Square)	WH (White) CA² (Clear Alzak) BL (Black) SA (Satin Aluminum) BZ (Bronze)	(blank) (Trimless / Wood Ceiling) -WH (White) -BL (Black) -SA (Satin Aluminum) -BZ (Bronze)	WD (Warm Dim)	10 (Spot) 30 (Narrow Flood) 50 (Flood) 80 (Wide Flood)	-NL (No Lens - damp location) -FR (Frosted - wet location) -MP (Solite - wet location) -CL (Clear - wet location)	-00

2. Available in round aperture only

Accessories (Note: Media holder required)

A3-MHLDR	(Media Holder - required)
A3-HEX	(Hex Louver)
A3-FR	(Frosted Lens)
A3-MP	(Solite Lens)
A3-CL	(Clear Lens)
A3-LS	(Linear Spread Lens)

Optics

A3-10-OPTIC	(10° Spot)
A3-30-OPTIC	(30° Narrow Flood)
A3-50-OPTIC	(50° Flood)
A3-80-OPTIC	(80° Wide Flood)

Emergency

EM-1000	(25W LED Remote Inverter)
EM-1002	(10W LED Remote Emergency Driver)
EM-1003	(35W LED Remote Inverter)
EM-1004	(50W LED Remote Inverter)

3" acrobat LED Downlight - Warm Dimming

Non-IC New Construction Housing

Round or Square / Trimmed or Trimless

Catalog #:

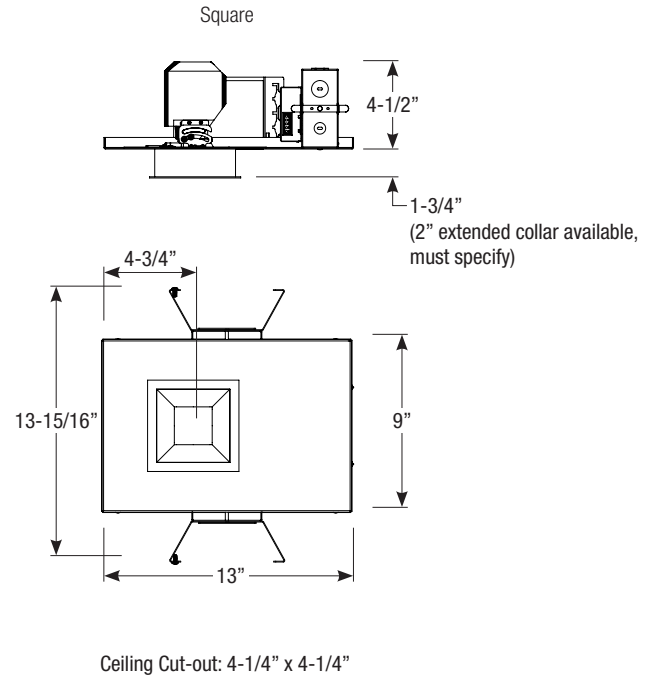
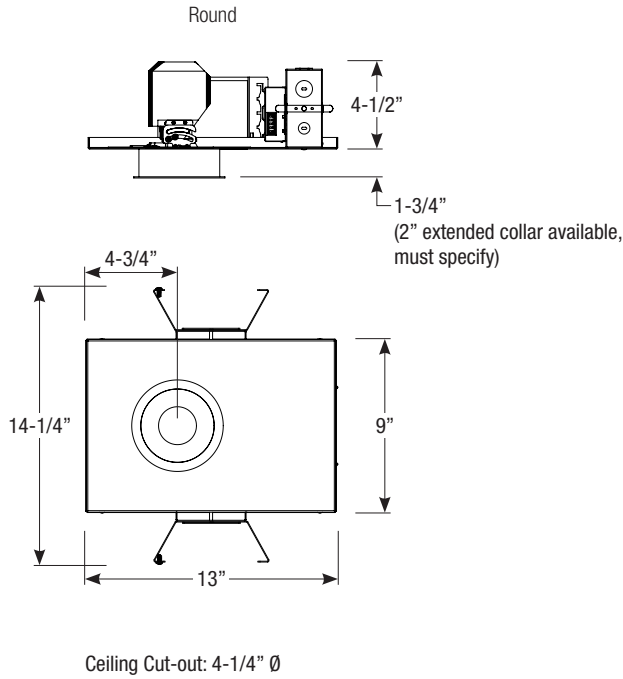
Type:

Project:

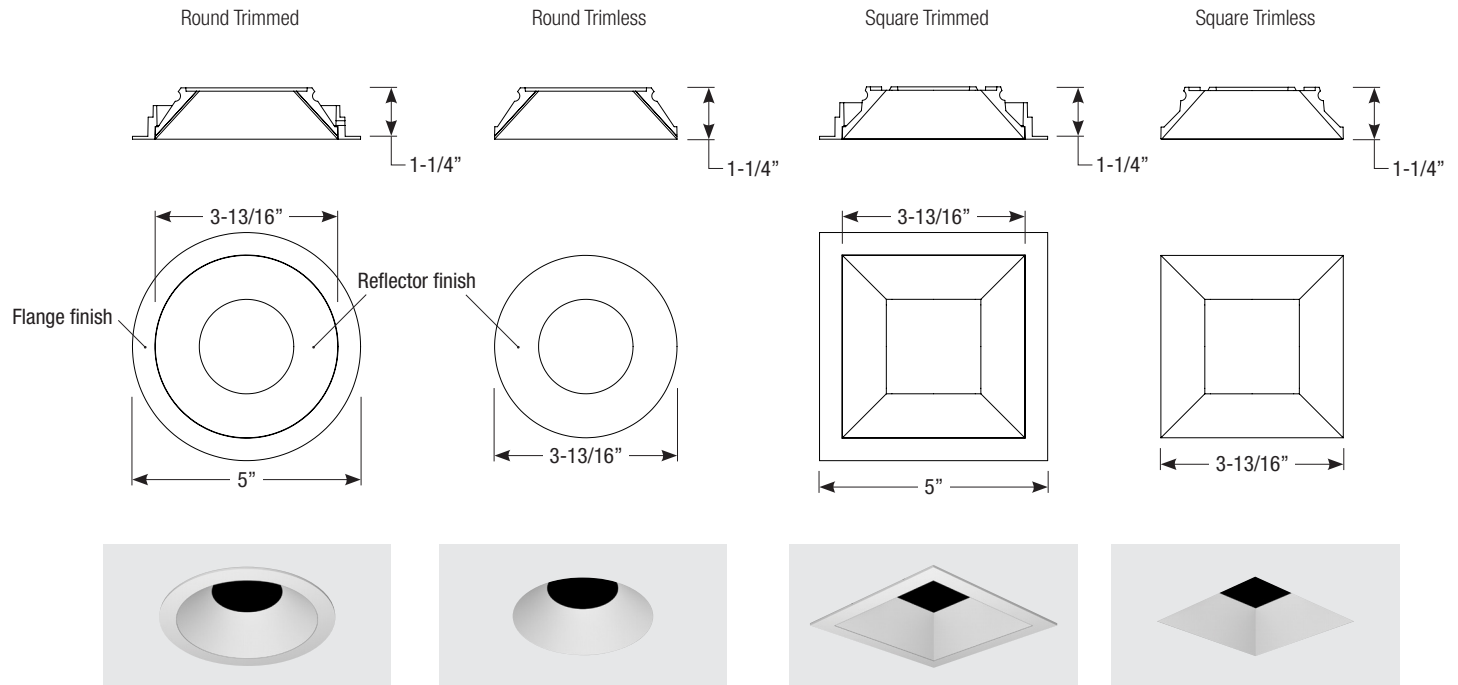
Date:

Notes:

Housing Dimensions



Trim Dimensions



Spec-00134 Revised 04/27/2020